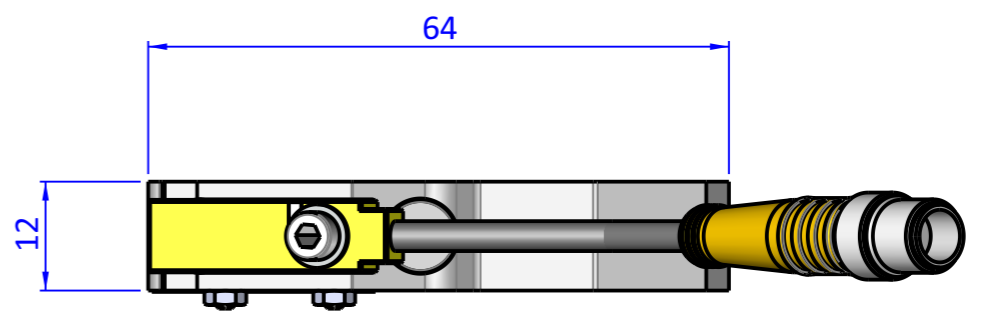
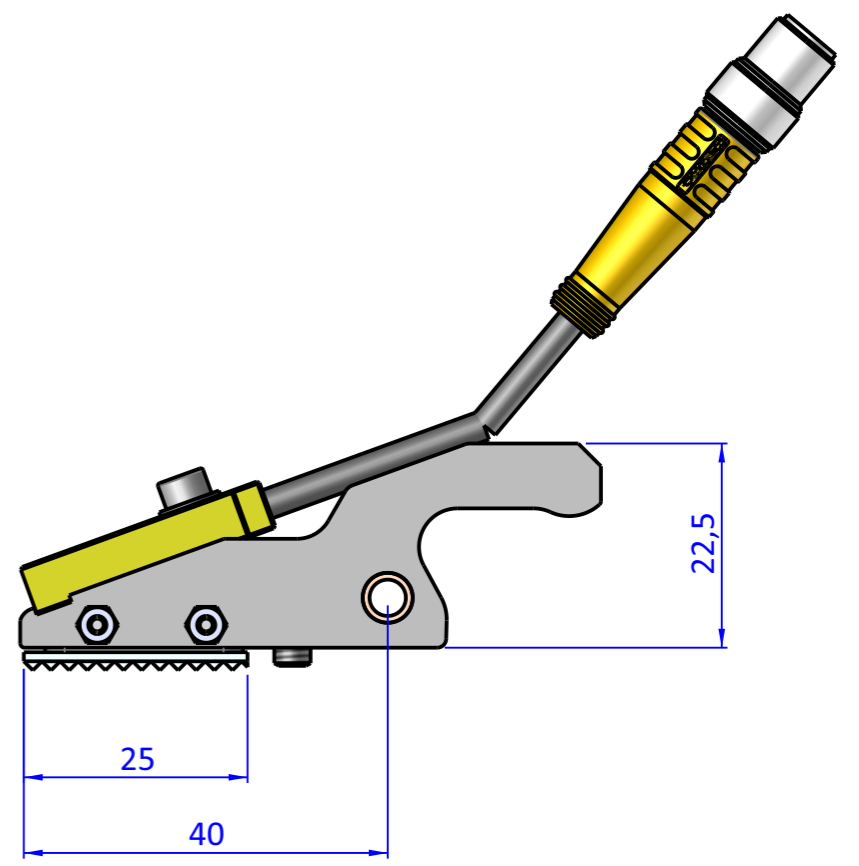
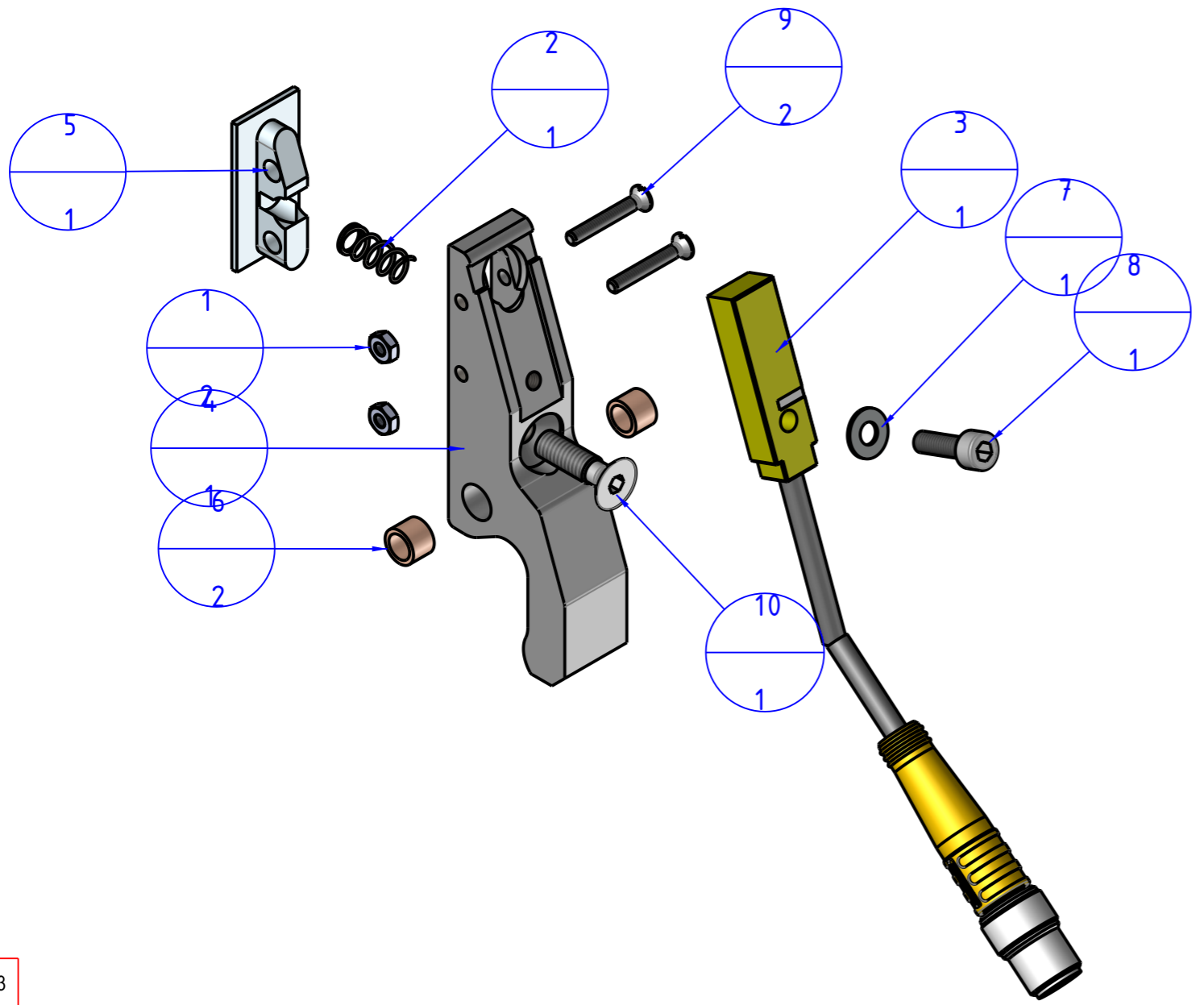



THE PROPERTY OF THE DRAWING IS ESTABLISHED BY LAW. IT IS FORBIDDEN TO PRODUCE OR SHOW IT TO THIRD PART - WITHOUT A WRITTEN AGREEMENT.

Item	Name	Q.ty
1	D.2	2
2	DIM.11010	1
3	GRZ.20.SC.NPN	1
4	GTS.1004.15	1
5	GTS.1004.15.1	1
6	PAP.0405504	2
7	R.3	1
8	V.TCE3x10	1
9	V.TSP2X14	2
10	V.TSP4x14	1



Format A3
UNI 936-76

 FPS FPSERVICES AUTOMATION		DESIGNED FROM FPS Automation		REVIEW A	
		DATE 21/09/2021	WEIGHT 0,026kg		
GENERAL TOLERANCE UNI - ISO 2768 CLASSE f	DESCRIPTION GTS.04.15.N		CODE GTS.04.15.N		